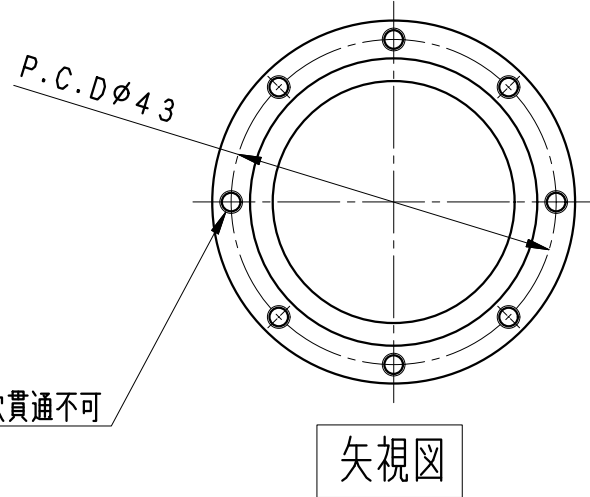
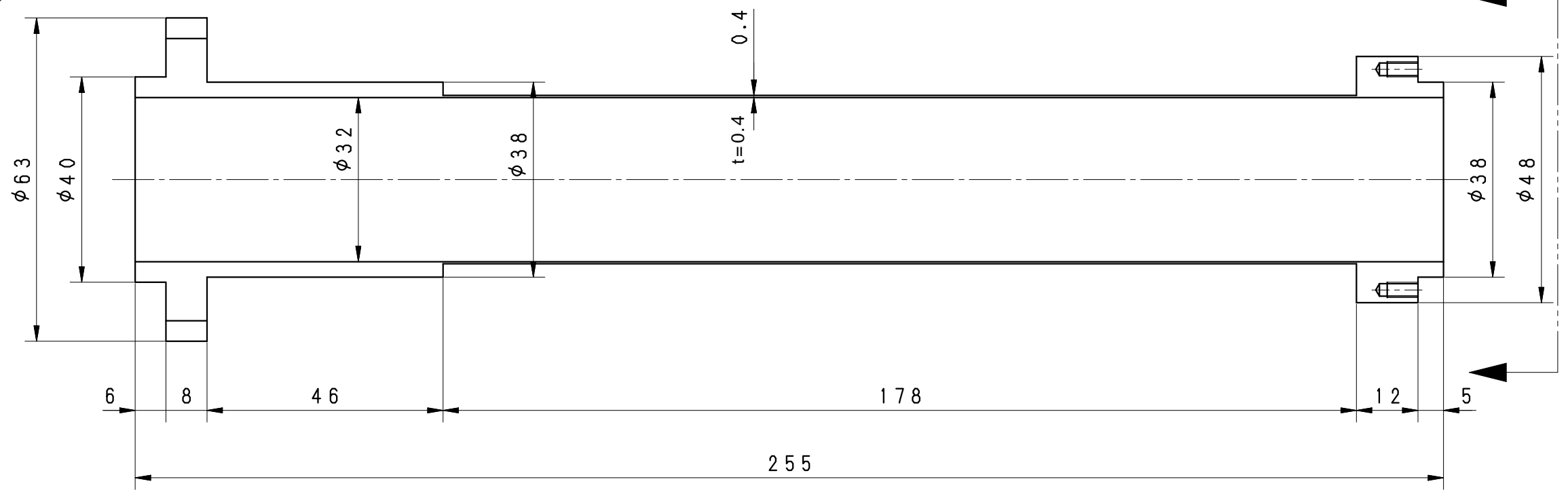
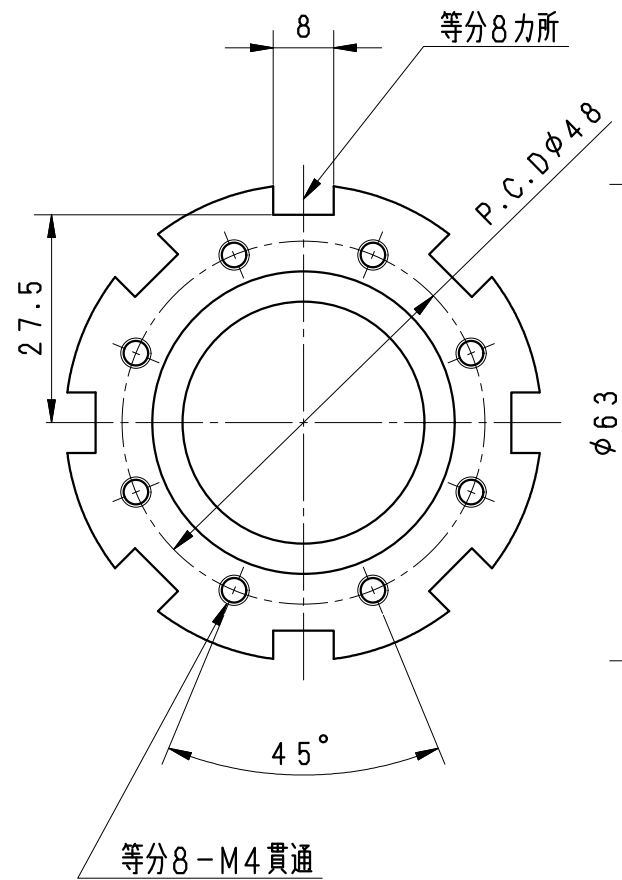
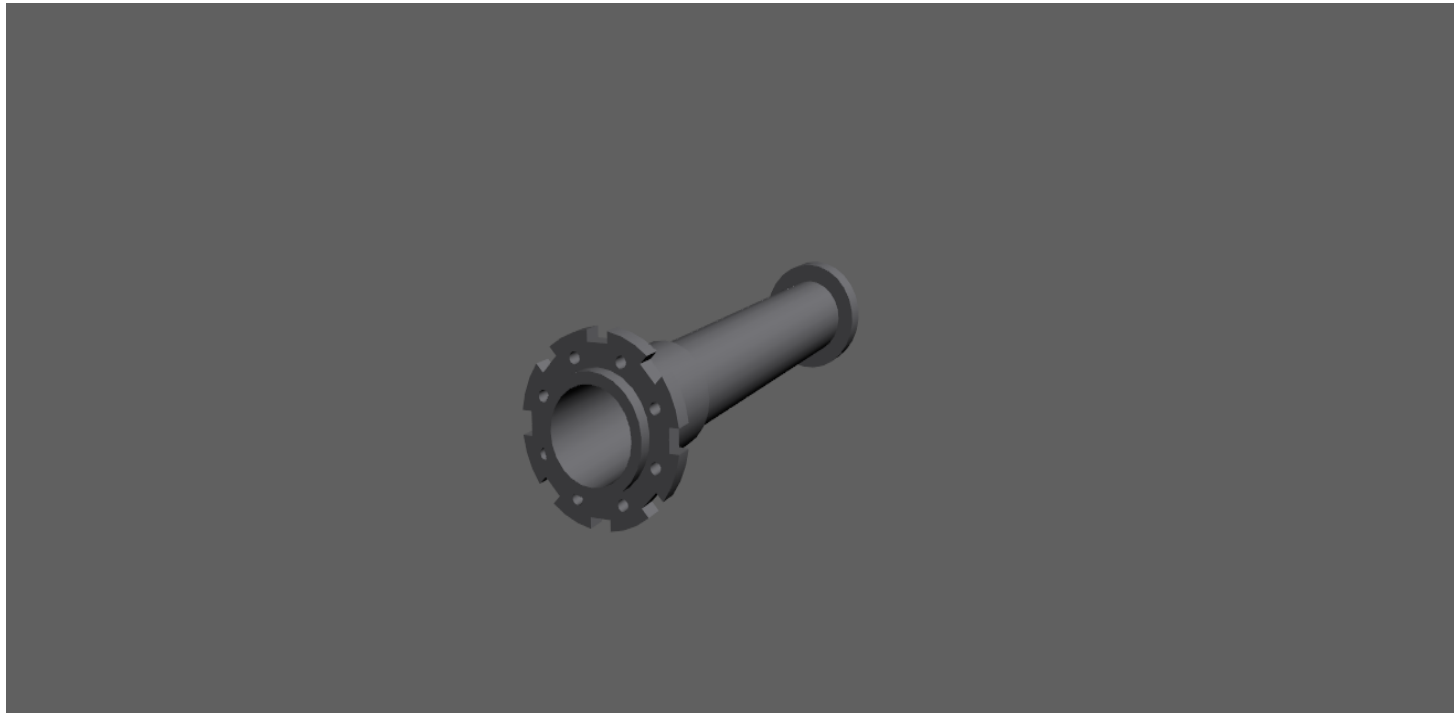


1.6



山友
26.08.05
技術

△		
△		
△		
△		
△		
△		
△		
No	REVISIONS	DATE

GENERAL TOLERANCE (mm) JIS B0405 (ISO 2768-1)				ITEM	PART-NO.	NAME	QTY	MATERIAL
DIMENSIONS	GRADE	f	m	c	v	MATERIAL		SUS304-B
0.5 \leq	\leq 3	\pm 0.05	\pm 0.1	\pm 0.2	-	TREATMENT		ISSUE STAMP
3 <	\leq 6	\pm 0.05	\pm 0.1	\pm 0.3	\pm 0.5	DIMENSION		2014.08.04
6 <	\leq 30	\pm 0.1	\pm 0.2	\pm 0.5	\pm 1	APPD	DESND	GROUP
30 <	\leq 120	\pm 0.15	\pm 0.3	\pm 0.8	\pm 1.5	DRAWN	3RD ANGLE PROJ.	CAD
120 <	\leq 400	\pm 0.2	\pm 0.5	\pm 1.2	\pm 2.5	ナリタ	SCALE	USER
400 <	\leq 1000	\pm 0.3	\pm 0.8	\pm 2	\pm 4	ナカムラ	1/1	TRAIN
1000 <	\leq 2000	\pm 0.5	\pm 1.2	\pm 3	\pm 6	ASSEMBLY		P/N
2000 <	\leq 4000	-	\pm 2	\pm 4	\pm 8	TITLE		QTY
HOLES	ϕ	ϕ 0.1	ϕ 0.2	ϕ 0.3	ϕ 0.4	TITLE		TITLE
UNLESS STATED	CHAMFER	ROUNDNES		PIPE, THIN				
	C0.2	RO.2		DRWG. NO. SMB13755_3-00				

株式会社 山友技術